

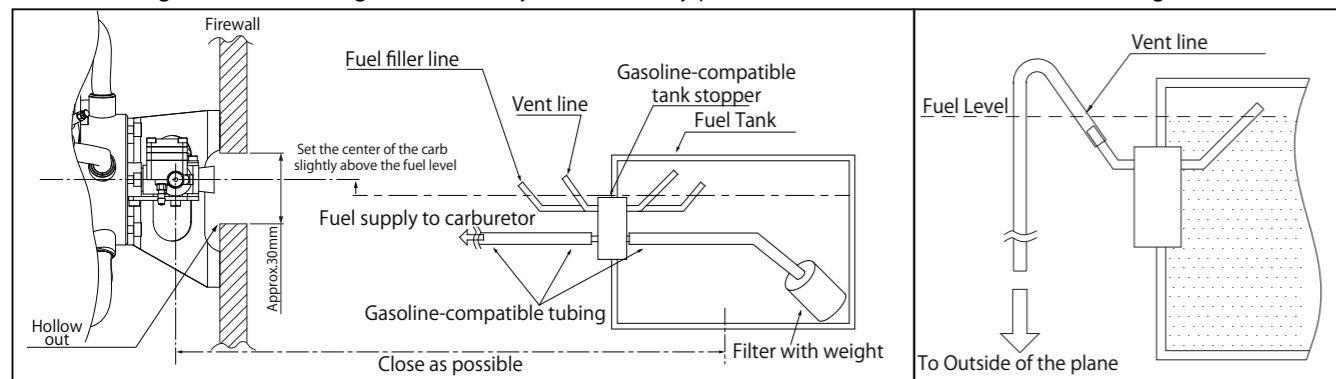
Specifications

Bore	Φ29.0mm	Stroke	22.0mm	Disp.	72.7cc	Applications	2st-Gasoline 50cc class
Weight (Approx.)	Main body : 2,600g / Muffler : 280g / Ignition : 380g			RPM Range	Approx.1,200-7,800rpm	Max on ground	Approx.6,200~7,500 rpm
Propeller	22" x 10" ~ 23" x 10"	Plug	1/4-32 SP-1 or SP-2 spark plug	Battery for ignition system	Voltage:6-8.4V, greater than 1,500mA [※]		
Standard accessories	<ul style="list-style-type: none"> Limit gauge (0.1t) for tappet adjustment 1pc Spark plug [SP-2](Attached to the engine) 5pcs Ignition system(w/sensor) 1set 	<ul style="list-style-type: none"> Wrench for tappet adjusting lock nut 1pc Muffler set 1set Muffler lock tie 2pcs 	<ul style="list-style-type: none"> Plug wrench 1pc Anti-loosening nut 1pc Hexagonal wrench 1.5mm 1pc 				
Optional parts	<ul style="list-style-type: none"> Filter with weight [G36-154] Tappet adjusting kit [30-161] 	<ul style="list-style-type: none"> Rubber tube for gasoline(1m) [G36-155] Digital tachometer [G17-167] 					

※If you use Li-Po, we recommend the spec less than 2,500mA capacity and less than 30C discharge rate

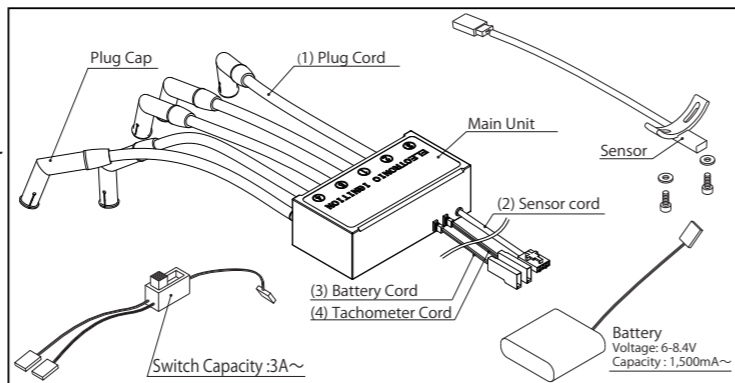
1. Fuel

- The fuel is a mixture of regular gasoline and high-quality 2-stroke engine oil.
- [Example of oil recommendation]
 - Klotz KL-200 Original Techniplat
 - Deluxe Materials PowerModel 2T-S etc.
- Be sure to use the mixture "gasoline : oil = 15~20 : 1" by volume ratio. (Ex. 1000ml of gasoline should be mixed with more than 50ml of oil).
- During the break-in process, use 15:1 mixed fuel to ensure the best lubrication for initial running.
- Any damage caused by the fuel used, in which the oil ratio is lower than 20:1 will not be covered by warranty.
- Do not use gasoline containing ethanol. It may cause not only power loss but also corrosion inside the engine.



2. Ignition

- Place the main unit as far from other electrical devices as possible.
- Place the two switches of the ignition and the RC receiver as far from each other as possible.
- (1) Plug cord(meshed high tension cord)
 - Insert the plug cap of (1) Plug cord deeply onto the plug of #1 cylinder to make sure it will not come off. The other caps and plugs should be installed by the same way. (Refer to cylinder # on the reverse side)
- (2) Sensor cord
 - Connect with the cord from the sensor attached to the engine.
- (3) Battery cord (black / red cord)
 - Use a fully charged battery that has adequate spec. (6-8.4V, more than 1500mA is recommended). Between the battery and main unit, make sure to install a heavy duty switch whose capacity is higher than 3A.
- (4) Tachometer cord (optional)
 - Connect the digital tachometer (Option) to the main unit. Otherwise the connector is normally vacant.

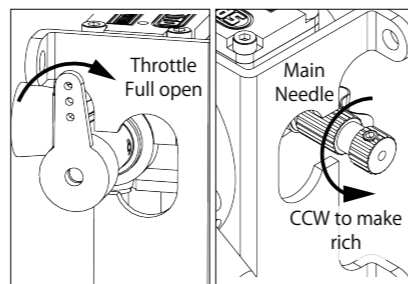


3. Propeller

- Recommended propeller is Mejzlik D22"xP10" which brings approx. 7,100rpm.
- Use a reliable prop which brings maximum 6,500~7,500rpm in conformity to your plane.
- Use a well-balanced prop. Never use a prop that has been scratched or damaged even if slightly.
- Never use excessively light or heavy loaded prop. They may cause engine failure, big accident, or even injury.
- As the propeller is compressed slightly, tighten the propeller nut every hour of operation.

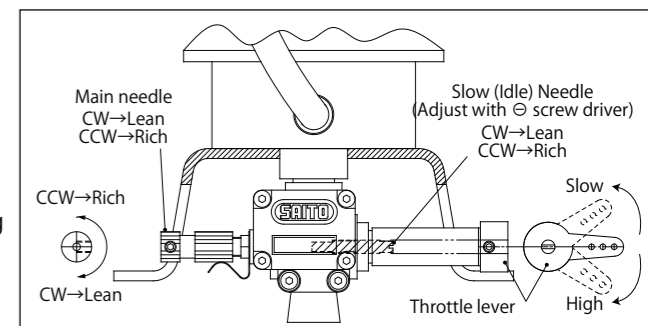
4. Break-in MOST IMPORTANT!!

- Before starting the engine, inject a suitable amount (approx. 20~30cc) of engine oil into the lubrication nipple on the crankcase using a syringe or pump while turning the propeller by hand. After that, plug this nipple. As excess is discharged from the breather nipple, attach a tube to the breather nipple.
- Prop-recommendation for break-in process : Mejzlik 22"x10"
- Use 15:1 fuel:oil ratio for break-in.
- Never make the fuel mixture lean during break-in. It could cause seizure even during idling or low-speed running.
- Before starting the engine, open the main needle approx. 2 turns from fully closed.
- Start the engine (using a starter is recommended for safety).
- Run for 15~20 seconds at low speed to warm up.
- Open throttle gradually up to full. In the meantime turn the main needle CCW. Continue to turn the main needle CCW to drop to 3,000~4,000rpm keeping the throttle opened fully.
- Run in this very rich condition for 1 liter or more of fuel.
- Now "initial" break-in is done.



5. Adjustment of carburetor after initial break-in.

- Needle reference position (Set after initial break-in)
 - Start the engine after adjusting the needle to the following reference value.
 - Main needle: Approx. 1+1/2 turns CCW from fully closed
 - Slow needle: Approx. 7 turns CCW from fully closed (Then throttle valve should be fully closed)
- Actually, the best position of the needles vary depending on the prop, temperature, humidity and so on. Please adjust as necessary after observing the engine performance during flight.



Peak adjustment

- After starting the engine, warm up for approx. 30 seconds at low speed.
- Achieve the peak at full throttle.
 - Turn the main needle CW gradually to the position where the RPM is greatest (the peak). Continuing to turn the needle CW past the peak could lead to seizure so turn it slowly and carefully. If the RPM suddenly decreases after passing the peak, **instantly turn the main needle CCW** to again increase the RPM. Otherwise it could damage the engine seriously.
- Once achieving peak RPM, return the throttle to low speed. Make a note of the position of main needle at the peak at that time. (How many turns you did CW based on the reference value.)

Slow needle Adjustment

- After achieving peak RPM, next is slow needle adjustment. Open the throttle from low RPM to full throttle quickly.
- If the engine hesitates for a moment or stalls before the engine reaches max RPM, it's because the mixture is too lean. Then turn the slow needle CCW slightly.
- If the engine is slow to reach peak RPM (full throttle set), it's because the mixture is too rich. Then turn the slow needle CW slightly.
- Adjust the slow needle as above until the RPM follows the throttle movement smoothly. The important point is to adjust the slow needle AFTER the main needle has been adjusted to its peak.
- Now break-in at ground level is done. Adjust tappets by the method described later.

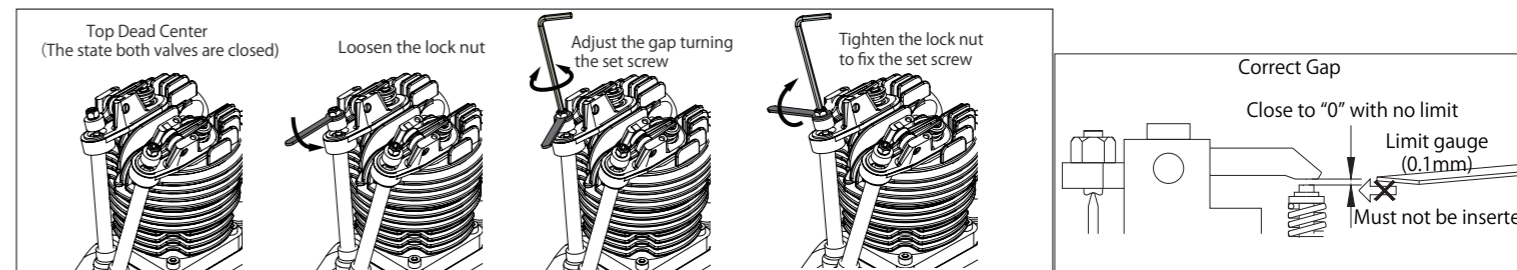
Pre-flight / Flight adjustment

- When the slow needle adjustment is done, check the response by revving up from low speed to full throttle quickly several times.
- Open the throttle fully and turn the main needle CCW 4~6 clicks from the peak position. This is to make the fuel mixture richer in the air where the RPM get higher than on the ground.
- After all adjustments are made, fly your aircraft and fine tune the engine according to the situation. Basically tuning should be done with the main needle. Readjustment of the slow needle is rarely needed if the first adjustment of the slow needle has been done successfully.

6. Tappet adjustment

The valve clearance should be checked and adjusted after break-in and every time after two hours while the engine is cold. Before adjusting tappet gaps, tighten the screws around cylinders etc.

- Remove the spark plug and rocker arm covers of #1 cylinder. Then turn the prop CCW by hand to place the piston at TDC of compression stroke.
- Loosen the lock nut and adjust the gap by hexagonal wrench until you get the correct gap (below pic) for both of intake & exhaust.
- Once the gap is set, tighten the lock nut and attach the plug and covers. Do the same adjustment for the #3-#5-#2-#4 cylinders in order.
- Turn the prop by hand to check if the compression is enough. If the gap is less than 0, the valve is always opened slightly and will lose compression. Then adjust again.



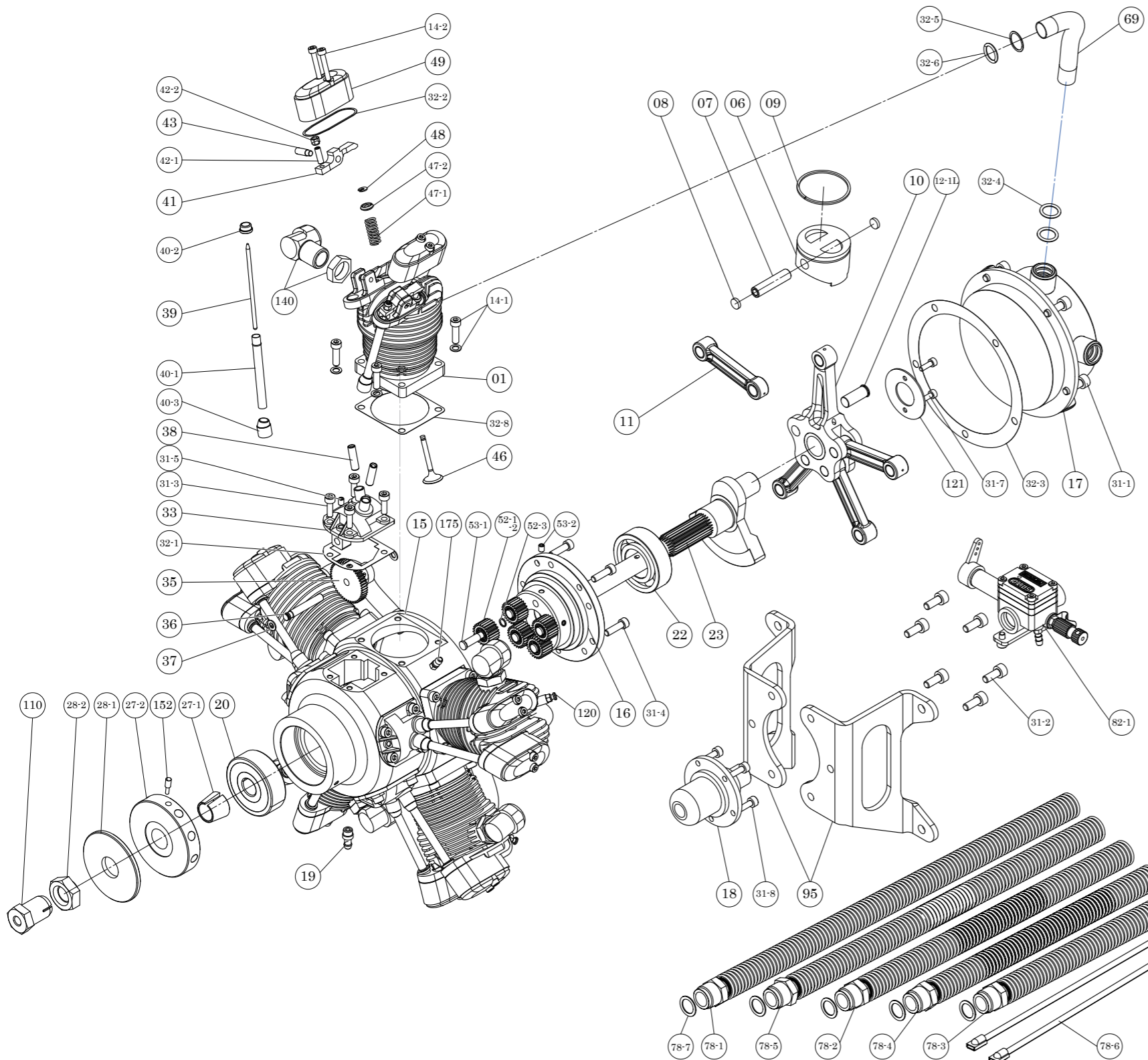
Note:

- As it uses oil-mixed fuel, the plane may sometimes get dirty from the exhaust.
- Use a reliable and well-balanced prop. Otherwise it may cause an abnormal vibration and could result in a serious accident.
- During operation, all engine screws can loosen due to metal heat expansion. Check and tighten occasionally.
- When the exhaust valve gets dull by carbon or sludge especially in cold atmosphere, remove the rocker cover and apply some anti-rust spray to the exhaust valve to help the valve to move smoothly.
- Pay attention to the surroundings so as not to disturb others by noise and exhaust.
- Always keep spectators behind the engine when operating the engine.
- As exhaust smoke is harmful, be careful not to breathe in or otherwise expose yourself to its harmful effects.
- Pay attention not to touch the rotating propeller when starting engine, and move to rear side of the aircraft once the engine is started.
- All responsibilities for the use of the engine, and other obligations and responsibilities based on laws, regulations, etc. are borne by the purchaser and the user, and SAITO SEISAKUSHO CO., LTD. is exempt from any responsibilities.

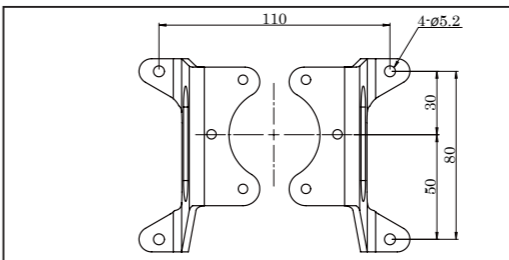
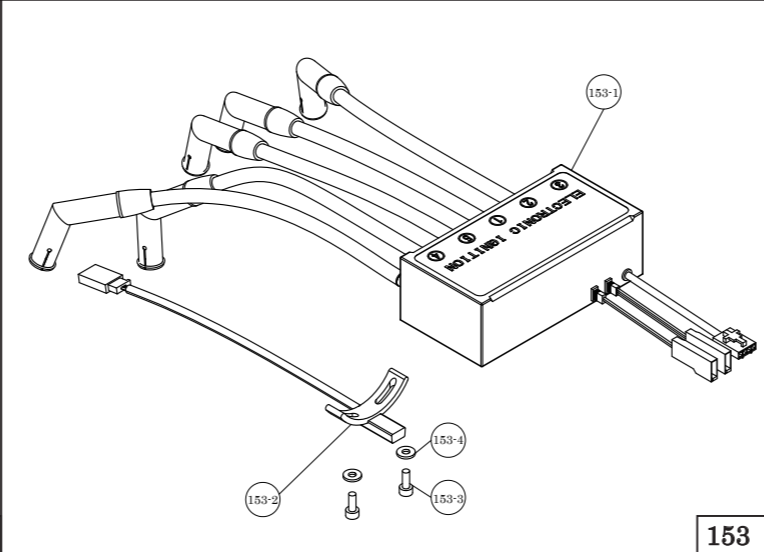
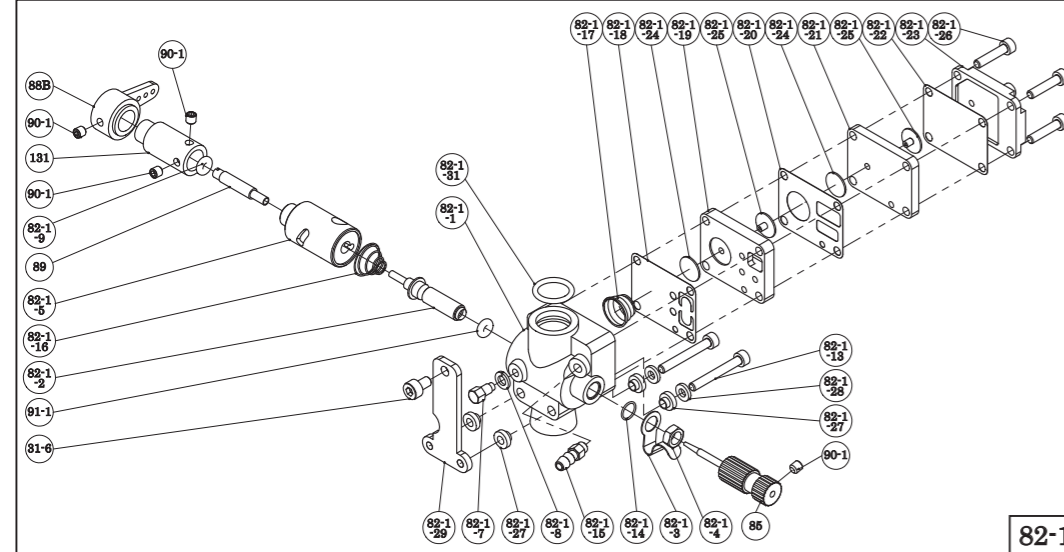
Warranty:

- If there is any deficiency from the factory concerning manufacture, please consult with the shop or distributor you bought from. Our company will be responsible for repair. However, any failure or trouble caused by unnecessary disassembly, modification, or other uses than those provided in the instruction manual is not subject to warranty.
- Ignition system is subject to the warranty only for initial failure. Once the system has been activated successfully, it will no longer be subject to warranty.

All specifications and models are subject to change without notice.



No.	Item	Qty	No.	Item	Qty
01	Cylinder	5	47	Valve spring & Retainer	10ea
06	Piston	5		47-1,-2,48	
07	Piston pin	5	48	Cotter (Valve retainer)	10
08	Piston pin retainer	10	49	Rocker arm cover	10
09	Piston ring	5	52	Counter gear & Thrust washer	5ea
10	Master rod	1		52-1,-2,-3	
11	Linked conrod	4	53	Counter gear shaft	5ea
12-1L	Link pin	4		53-1,-2	
14	Cylinder screw set	5set	69	Intake pipe	5
	14-1,-2		78	Muffler complete	1set
15	Crankcase	1		78-1,-2,-3,-4,-5,-6,-7	
16	Rear bearing housing	1	82-1	Carburetor complete	1set
17	Rear cover A	1		82-1-1,-1-2,-1-3,-1-4,-1-5,-1-7,-1-8,-1-9,-1-13,-1-14,-1-15,-1-16,-1-17,-1-18,-1-19,-1-20,-1-21,-1-22,-1-23,-1-24,-1-25,-1-26,-1-27,-1-28,-1-29,-1-31,31-6,85,88B,89,90-1,91-1,131	
18	Rear cover B	1			
19	Breather nipple	1	85	Main needle valve	1
20	Front ball bearing	1		85,90-1	
22	Rear ball bearing	1	88B	Throttle lever	1
23	Crankshaft	1		88B,90-1	
27	Taper collet & Drive flange	1ea	89	Slow needle	1
	27-1,-2		90	Carburetor screw & spring set	1set
28	Prop washer & Nut	1ea		82-1-7,-1-8,-1-13,-1-16,-1-17,-1-26,-1-28,90-1,31-6	
	28-1,-2		91	Carburetor gasket set	1set
31	Crankcase screw set	1set		91-1,82-1-9,-1-14,-1-18,-1-20,-1-22,-1-31	
	31-1,-2,-3,-4,-5,-6,-7,-8		95	Engine mount set	1set
32	Engine gasket set	1set	110	Anti loosening nut	1
	32-1,-2,-3,-4,-5,-6,-8		120	Spark plug (SP-2)	5
33	Cam gear housing	5	121	Link pin retainer plate	1
35	Cam gear	5	131	Throttle valve extension adapter / set screw	1
36	Cam gear shaft	5	140	Muffler right angle adapter / nut	5
37	Steel washer set	5set	152	Screw pin	1
38	Tappet	10	153	Electronic ignition system	1set
39	Pushrod	10		153-1,-2,-3,-4	
40	Pushrod cover & Rubber seal	10ea	160	Pump assembly	1set
	40-1,-2,-3			82-1-17,-1-18,-1-19,-1-20,-1-21,-1-22,-1-23,-1-24,-1-25,-1-26	
41	Rocker arm	10	175	Initial lube nipple	1
42	Rocker arm screw & Nut	10ea			
	42-1,-2				
43	Rocker arm pin	10			
46	Valve (In & Ex)	5set			



外形寸法図
Outside dimension

